

# AVCO

*Alloy Valves and Control*

## BALL VALVES 500 SERIES



### **Size**

1/4" - 4" (No Mount)

1/2" - 4"

(Direct Mount & Clamp Ends)

### **End Connections**

NPT

Socket Weld

Clamp Ends

Butt Weld

### **Valve Materials**

316 Stainless Steel

### **Ball and Stem Materials**

316 Stainless Steel

### **Seat Materials**

RTFE (No Mount & Direct Mount)

TFM Cavity Filled (Clamp Ends)

### **Service Applications**

Chemical

Dry/Liquid Chlorine

Food Processing

Hydraulic

Oxygen

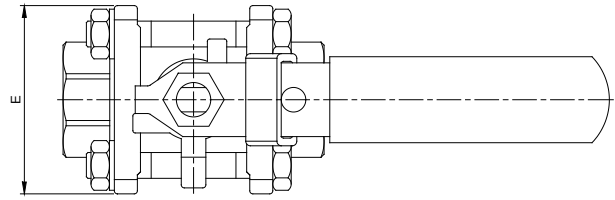
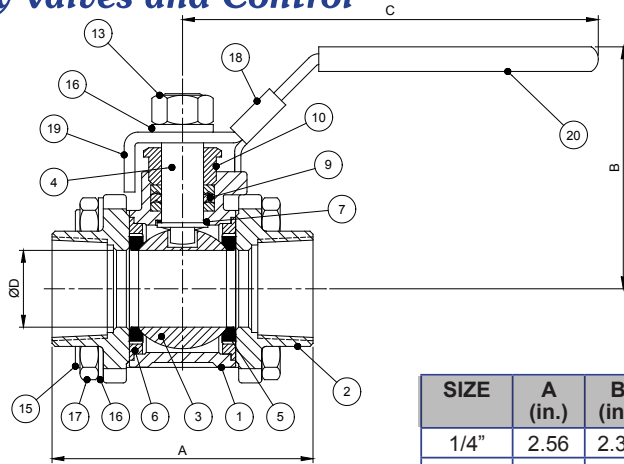
Steam

Thermal Fluids

Vacuum

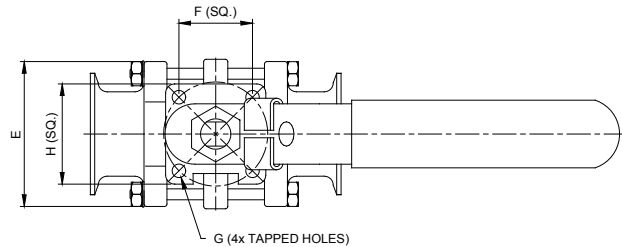
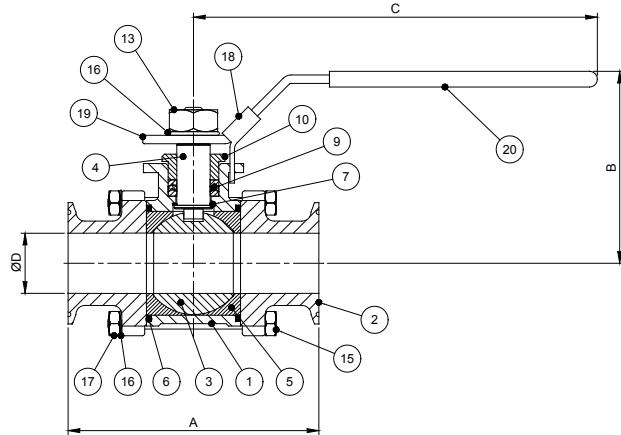
Water/Oil/Gas

## Alloy Valves and Control



**Standard Ball Valve**  
1000 WOG  
Full Port  
Blow-Out Proof Stem  
RTFE Seats  
NPT, SW & BW Ends  
Latch Lock Handle

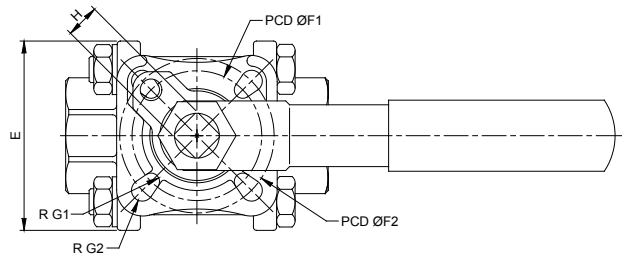
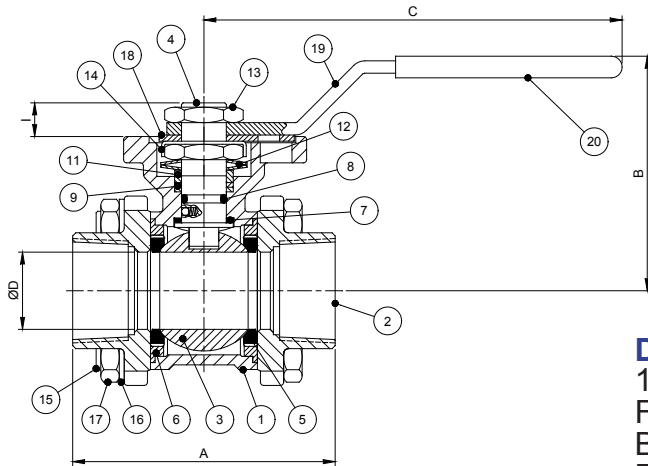
SIZE	A (in.)	B (in.)	C (in.)	D (in.)	E (in.)	WEIGHT (lbs)	TORQUE (in-lbs)	CV
1/4"	2.56	2.36	3.94	0.46	1.56	1	35	6.6
3/8"	2.56	2.36	3.94	0.49	1.56	1	35	7.9
1/2"	2.56	2.44	3.94	0.59	1.82	2	47	11.2
3/4"	2.95	2.44	4.29	0.79	2.05	2	65	21
1"	3.35	3.15	5.87	0.98	2.28	3	9	34
1 1/4"	3.98	3.35	5.87	1.25	2.74	4	118	57
1 1/2"	4.41	3.94	7.48	1.50	3.05	6	157	80
2"	5.12	4.25	7.48	1.97	3.57	9	217	148
2 1/2"	6.38	5.35	9.84	2.48	4.48	18	416	265
3"	7.40	5.75	9.84	2.99	6.67	30	651	415
4"	8.82	7.17	12.72	3.78	8.65	55	955	780



**Clamp Ball Valve**  
1000 WOG  
Full Port  
Blow-Out Proof Stem  
TFM Cavity Filled Seats  
Clamp Ends  
Latch Lock Handle  
ISO Mounting Pad

SIZE	A (in)	B (in)	C (in)	D (in)	E (in)	F (in)	G (in)	H (in)	ISO 5211	WEIGHT (lbs)	TORQUE (in-lbs)	CV
1/2"	3.75	2.50	5.56	0.38	1.91	1.00	M5	1.46	F03	2	51	9
3/4"	4.06	2.62	5.56	0.62	2.20	1.00	M5	1.46	F03	3	79	26
1"	4.53	2.73	5.56	0.87	2.34	1.17	M5	1.65	F04	3	113	61
1 1/2"	5.51	3.96	7.41	1.37	3.16	1.39	M6	1.97	F05	6	203	193
2"	6.22	4.35	7.41	1.88	3.70	1.39	M6	1.97	F05	10	248	432
2 1/2"	7.76	5.48	10.24	2.37	4.80	1.95	M8	2.83	F07	19	528	728
3"	8.98	5.83	10.24	2.87	6.16	1.95	M8	2.83	F07	32	821	1125
4"	9.52	6.89	11.61	3.84	8.70	2.84	M10	3.70	F10	46	1379	1986

## Alloy Valves and Control

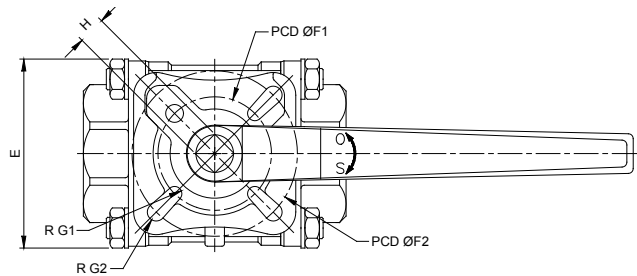
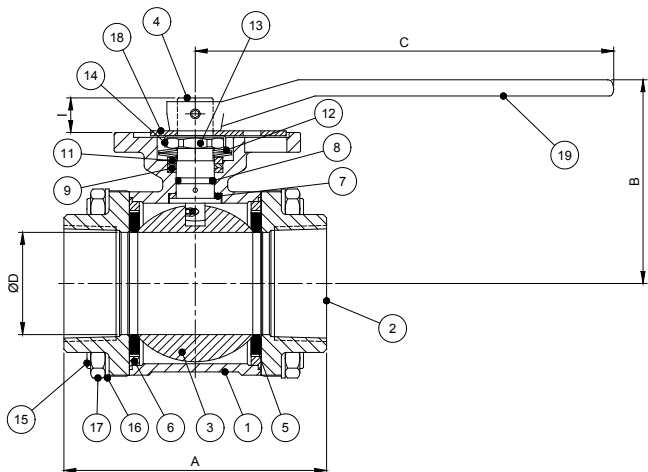


### Direct Mount Ball Valve (1/2" - 2")

1000 WOG  
Full Port  
Blow-Out Proof Stem  
RTFE Seats  
BW, NPT & SW Ends  
Latch Look Handle

ISO Direct Mounting Pad  
Spring System on Stem  
Anti-Static Device

SIZE	A (in)	B (in)	C (in)	D (in)	E (in)	F1 (in)	F2 (in)	G1 (in)	G2 (in)	H (in)	I (in)	ISO 5211	WEIGHT (lbs)	TORQUE (in-lbs)	CV
1/2"	2.56	2.36	4.72	0.59	1.82	1.42	1.65	0.11	0.11	0.35	0.33	F03/F04	2	49	5
3/4"	2.95	2.52	4.72	0.79	2.05	1.42	1.65	0.11	0.11	0.35	0.33	F03/F04	2	67	21
1"	3.35	2.91	5.83	0.98	2.28	1.65	1.97	0.11	0.14	0.43	0.43	F04/F05	3	98	46
1 1/4"	3.98	3.11	5.83	1.26	2.74	1.65	1.97	0.11	0.14	0.43	0.43	F04/F05	4	133	67
1 1/2"	4.41	3.74	7.01	1.50	3.05	1.97	2.76	0.14	0.18	0.55	0.55	F05/F07	6	177	87
2"	5.12	4.06	7.01	1.97	3.57	1.97	2.76	0.14	0.18	0.55	0.55	F05/F07	9	354	210



### Direct Mount Ball Valve (2 1/2" - 4")

1000 WOG  
Full Port  
Blow-Out Proof Stem  
RTFE Seats  
BW, NPT & SW Ends  
Latch Look Handle

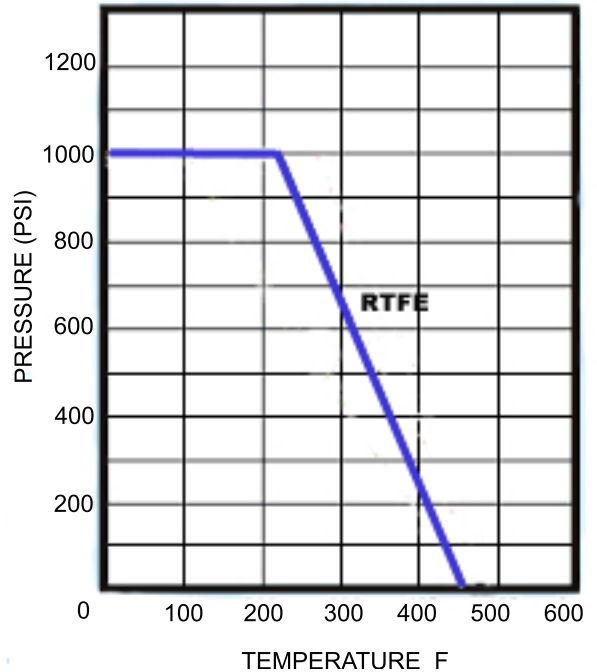
ISO Direct Mounting Pad  
Spring System on Stem  
Anti-Static Device

SIZE	A (in)	B (in)	C (in)	D (in)	E (in)	F1 (in)	F2 (in)	G1 (in)	G2 (in)	H (in)	I (in)	ISO 5211	WEIGHT (lbs)	TORQUE (in-lbs)	CV
2 1/2"	6.38	4.84	12.80	2.48	4.48	2.76	4.02	0.18	0.22	0.67	0.81	F07/F10	16	531	275
3"	7.40	5.18	12.80	2.99	6.67	2.76	4.02	0.18	0.22	0.67	0.81	F07/F10	23	753	485
4"	8.82	6.52	12.80	3.78	8.65	4.02	4.92	0.22	0.26	0.87	0.89	F10/F12	43	1328	617

## Alloy Valves and Control

500 Series Ball Valve-Materials				
Item	Part	Standard	Direct Mount	Clamp
1	Body	316 SS	316 SS	316L SS
2	End Cap	316 SS	316 SS	316L SS
3	Ball	316 SS	316 SS	316L SS
4	Steam	316 SS	316 SS	316LSS
5	Seat	RTFE	RTFE	TFM
6	Seal	TFE	TFE	TFM
7	Thrust Washer	TFE	TFE	TFE
8	O-Ring	-	Viton	-
9	Packing	TFE	-	TFE
10	Gland Nut	304 SS	304 SS	304 SS
11	Gland Ring	-	304 SS	-
12	Disk Spring	-	304 SS	-
13	Stem Nut	304 SS	304 SS	304 SS
14	Lock Tab	304 SS	304 SS	-
15	Bolt	304 SS	304 SS	304 SS
16	Lock Washer	304 SS	304 SS	304 SS
17	Nut	304 SS	304 SS	304 SS
18	Locking Device	304 SS	304 SS	304 SS
19	Handle	304 SS	304 SS	304 SS
20	Handle Service	Vinyl	Vinyl	Vinyl

PRESSURE-TEMPERATURE RATING



## AUTOMATION

Pneumatic Actuators	Solenoid Valves
Spring Return	
Double Acting	
Electric Actuators:	Limit Switches
120 VAC	
12 & 24 VDC	Positioners



## HOW TO ORDER

1"	5	3	3	R	T	SE	
Size	Series	Body & End Material	Body & Stem Material	Seat Material	Seal Material	End Style	Features
1/4" 3/8" 1/2" 3/4" 1" 1 1/4" 1 1/2" 2" 2 1/2" 3" 4"	500 Series 3 Piece Economy Full Port Ball Valve	3-316 S.S	3-316 S.S	R-RTFE T-TFM	T-TFE	SE - NPT SW-Socket Weld TR - Clamp BW-Butt Weld	Blank - Standard/ Clamp DM - Direct Mount CF - Cavity Filled
<b>Available as:</b> Standard Direct Mount Clamp with ISO Pad				<b>Options:</b> Standard-RTFE only Direct Mount-RTFE only Clamp - TFM only		<b>Options:</b> Standard - SE, SW, BW Direct Mount - SE, SW, BW Clamp - TR only	<b>Options:</b> Standard - Blank only Direct Mount- DM only Clamp - Blank, CF

Distributed By:

Copyright © Alloy Valves and Control, Inc. All rights reserved. No Part of this brochure maybe used or reproduced in any manner whatsoever without written permission of AVCO.

This brochure is general in nature and manufacturer reserves the right to alter dimensions , Materials or make design improvements.